



VIKAS INDUSTRIES

A GOVT. OF INDIA RECOGNISED STAR EXPORT HOUSE



AN ISO 9001: 2015 CERTIFIED COMPANY
A UL LISTED COMPANY

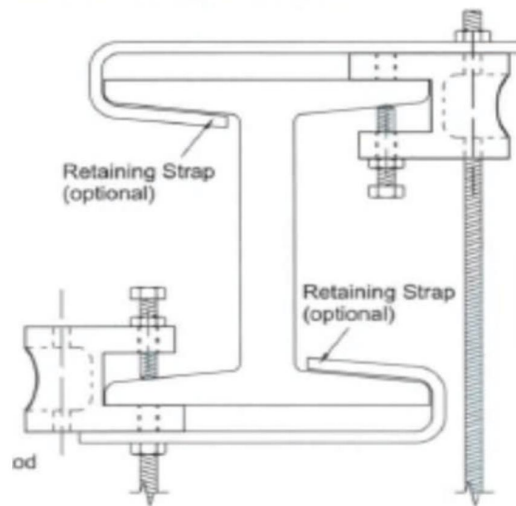
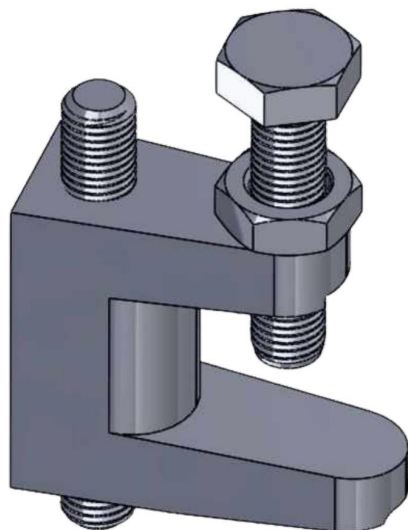
BEAM CLAMP

MATERIAL : MALLEABLE IRON, DUCTILE IRON BODY, HARDENED STEEL

APPLICATION : THEY CLAMP ONTO A STRUCTURAL BEAM FOR SUPPORT APPLICATIONS. THEY CONNECT COMPONENTS TO STRUCTURAL STEEL WITHOUT DRILLING OR WELDING. PERMIT VERTICAL LEVEL ADJUSTMENT POST INSTALLATION.

FINISH : PLAIN, ELECTRO GALVANIZED, HOT DIP GALVANIZED

STANDARDS : DIN/ASME/ASTM/BS EN ISO



Article No.	ROD SIZE
VIBC-01	M8
VIBC-02	M10
VIBC-03	M12
VIBC-04	3/8"
VIBC-05	1/2"