



VIKAS INDUSTRIES

A GOVT. OF INDIA RECOGNISED STAR EXPORT HOUSE

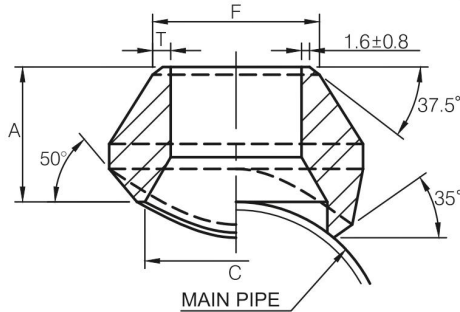


AN ISO 9001: 2015 CERTIFIED COMPANY

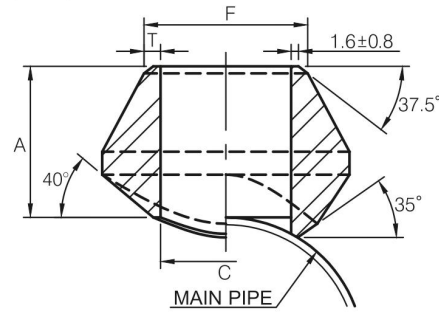
A UL LISTED COMPANY

BUTT WELDING END 90° BRANCH OUTLET "EXTRA STRONG"

MSS SP-97-2012



REDUCING WAY



EXTRA STRONG

STRAIGHT WAY

Dimensions are in millimeters.

Reducing Way				
OutLet Pipe (in)	A	C	F	T
1/8	15.7	13.7	10.3	2.41
1/4	15.7	13.7	13.7	3.02
3/8	19.1	17.1	17.1	3.20
1/2	19.1	21.3	21.3	3.73
3/4	22.4	26.7	26.7	3.91
1	26.9	33.4	33.4	4.55
1-1/4	31.8	42.2	42.2	4.85
1-1/2	33.3	48.3	48.3	5.08
2	38.1	60.3	60.3	5.54
2-1/2	41.1	73.0	73.0	7.01
3	44.4	88.9	88.9	7.62
3-1/2	47.8	101.6	101.6	8.56
4	50.8	114.3	114.3	8.56

Dimensions are in millimeters.

Straight Way				
OutLet Pipe (in)	A	C	F	T
1/4	15.7	11.5	13.7	3.02
3/8	19.1	14.5	17.1	3.20
1/2	19.1	16.5	21.3	3.73
3/4	22.4	21.5	26.7	3.91
1	26.9	27.2	33.4	4.55
1-1/4	31.8	36.0	42.2	4.85
1-1/2	33.3	42.0	48.3	5.08
2	38.1	53.0	60.3	5.54
2-1/2	41.1	65.0	73.0	7.01
3	44.4	80.0	88.9	7.62
4	50.8	104.0	114.3	8.56

(1) Weld Bevel in Accordance with ASME B16.25.

DIMENSIONAL TOLERANCE

MSS SP-97-2012

Unit : mm

Item	1/8"~3/4"	1"~4"	5"~12"	14"~24"
Face of fitting to crotch (A)	±0.8	±1.6	±3.2	±4.8

(1) Weld Bevel in Accordance with ASME B16.25.

(2) Outlet size 4 and less fit a number of run pipe sizes and the fittings are marked accordingly.

CONVENTIONAL RUN PIPE SIZE COMBINATIONS

3000lb THREAD/SOCKET -WELD END STD/XS BUTT WELDING END

RUN SIZE (MAIN PIPE)	OUTLET SIZE										
	1/4"	3/8"	1/2"	3/4"	1"	1-1/4"	1-1/2"	2"	2-1/2"	3"	4"
Reducing Way	3/8"~3/4"	1/2"	3/4"	1"	1-1/4"	1-1/2"	2"	2-1/2"	3"	3-1/2"	4"
	1"~36"	3/4"~1-1/4"	1"	1-1/4"	1-1/2"	2"	2-1/2"	3"	3-1/2"	4"	5"
Straight Way	3/8"~36"	1/2"~36"	3/4"~36"	1"~36"	1-1/4"~1-1/2"	1-1/2"	2"	2-1/2"	3"	3-1/2"	4"
					2"~36"	2"~3"	2-1/2"~4"	3"~3-1/2"	3-1/2"~4"	4"	5"

Each charted outlet size is designed to fit a number of run pipe sizes.