



# VIKAS INDUSTRIES

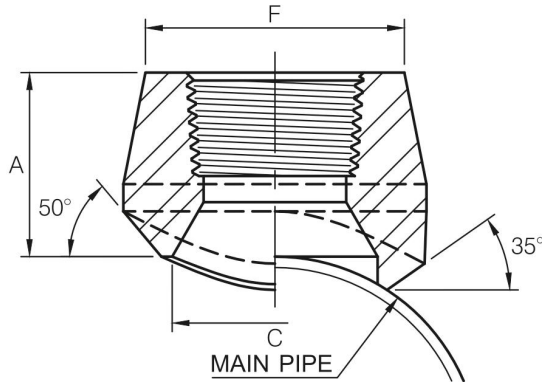
A GOVT. OF INDIA RECOGNISED STAR EXPORT HOUSE



AN ISO 9001: 2015 CERTIFIED COMPANY

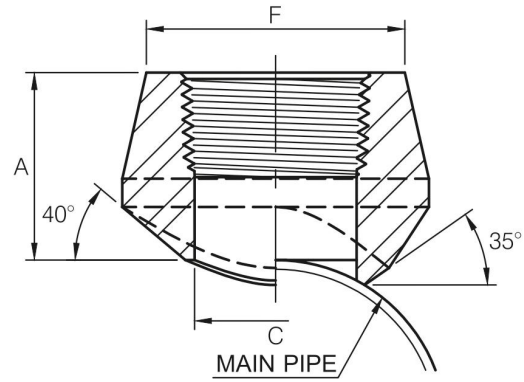
A UL LISTED COMPANY

## THREADED END 90° BRANCH OUTLET MSS SP-97-2012



### REDUCING WAY

Dimensions are in millimeters.



### STRAIGHT WAY

Dimensions are in millimeters.

Reducing Way			
OutLet Pipe (in)	A	C	F

3000Lb			
1/8	19.0	13.7	17.3
1/4	19.0	13.7	22.0
3/8	20.6	17.1	25.9
1/2	25.4	21.3	31.4
3/4	26.9	26.7	37.1
1	33.3	33.4	45.5
1-1/4	33.3	42.2	57.0
1-1/2	35.0	48.3	64.0
2	38.1	60.3	76.0
2-1/2	46.0	73.0	92.0
3	50.8	88.9	109.2
4	57.2	114.3	140.0

6000Lb			
1/2	31.8	16.6	33.9
3/4	36.6	21.2	41.2
1	39.6	27.0	49.9
1-1/4	41.1	35.8	58.6
1-1/2	42.3	41.2	66.7
2	52.3	51.6	83.2

Straight Way			
OutLet Pipe (in)	A	C	F

3000Lb			
1/4	19.0	11.5	22.0
3/8	20.6	14.5	25.9
1/2	25.4	16.5	31.4
3/4	26.9	21.5	37.1
1	33.3	27.2	45.5
1-1/4	33.3	36.0	57.0
1-1/2	35.0	42.0	64.0
2	38.1	53.0	76.0
2-1/2	46.0	65.0	92.0
3	50.8	80.0	109.2
4	57.2	104.0	140.0

(1) Thread in accordance with ASME B1.20.1.

### DIMENSIONAL TOLERANCE

MSS SP-97-2012

Unit : mm

Item	1/8"~3/4"	1"~4"
Face of fitting to crotch (A)	±0.8	±1.6

(1) Thread in accordance with ASME B1.20.1.

(2) 3000LB Outlet size 4 and less fit a number of run pipe sizes and the fitting are marked accordingly.

See page 26 for conventional run pipe size combination.